

ILLUSTRATED PARTS LIST

MODEL NUMBER P53-625D

PRODUCT NUMBER 961 41 01-13

MFG. ID. NUMBER 96141011310

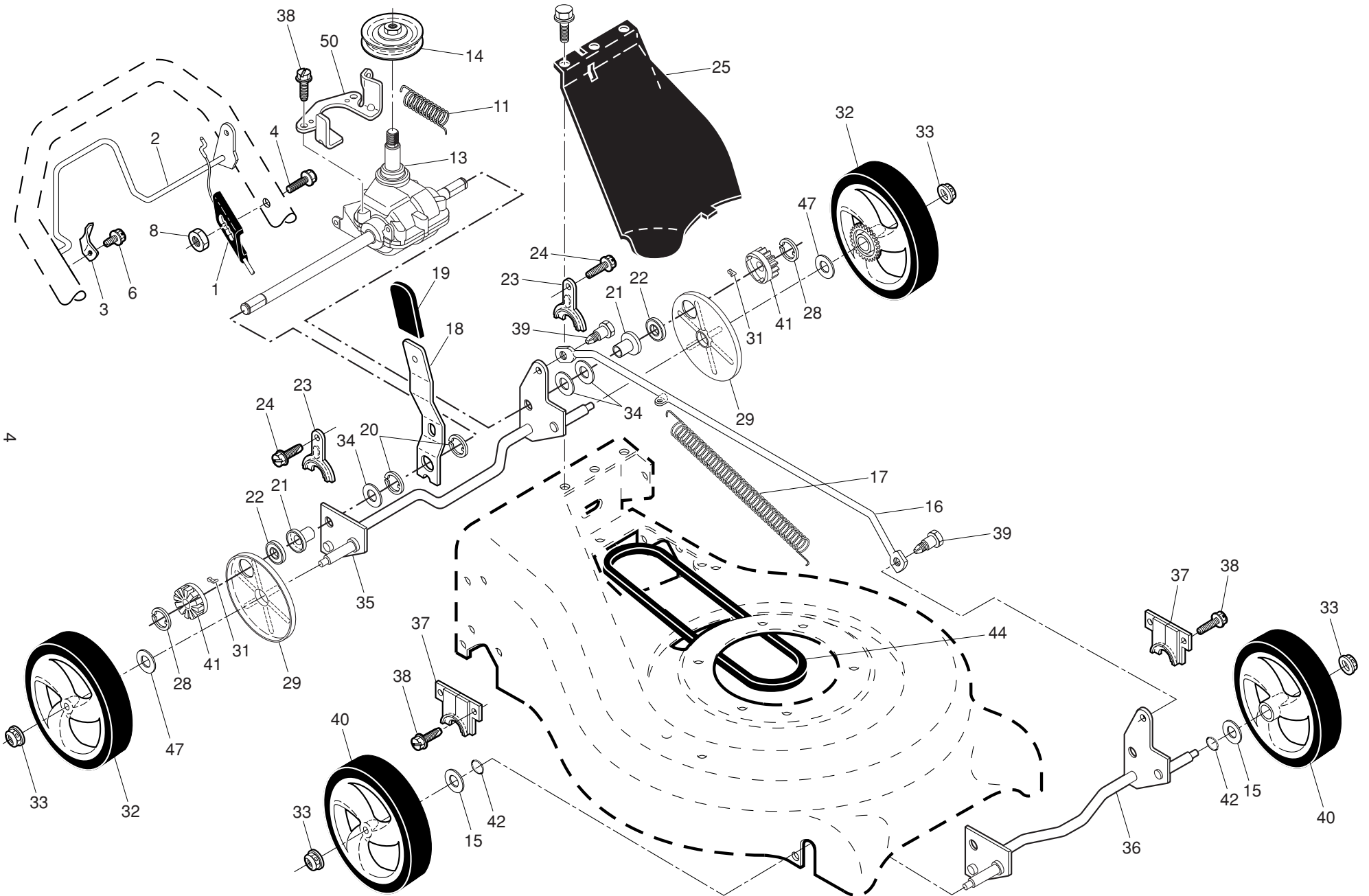
PARTNER ROTARY LAWN MOWER - MODEL NUMBER P53-625D (96141011310) PRODUCT NO. 961 41 01-13

KEY NO.	PART NO.	DESCRIPTION	KEY NO.	PART NO.	DESCRIPTION
1	532 17 80-67	Handle, Upper	25	532 16 13-33	Baffle, Side
2	532 19 60-05	Handle, Lower	26	532 16 34-09	Screw #12 x 5/8
3	532 40 54-16	Spring, Rear Door, RH	29	532 19 12-21	Cable, Engine Zone Control
4	532 19 47-88	Guide, Rope, Side	30	532 42 11-76	Adapter, Blade
5	532 13 20-04	Nut, Hex, with Lockwasher Insert 1/4-20	31	532 19 93-77	Blade, 21"
6	532 06 64-26	Wire Tie	32	532 85 10-74	Washer, Hardened
7	532 19 15-74	Bolt, Handle 5/16-18 x 1.75	33	532 85 02-63	Lockwasher, Helical Spring 3/8
8	532 19 19-38	Knob, Handle	34	532 85 10-84	Screw, Hex Head 3/8-24 x 1.38
9	532 19 18-19	Bar, Control	37	532 15 04-06	Bolt, Engine
10	532 18 88-21	Bolt, Carriage	38	- - -	Engine, Briggs & Stratton, Model Number 122T02-1614-H1 (Order parts from engine manufacturer)
11	532 75 11-53	Nut, Hex, with Lockwasher Insert 5/16-18 UNC	39	581 00 29-01	Grassbag
12	532 05 17-93	Cotter, Hairpin	40	532 41 19-51	Frame, Grassbag
13	532 40 54-15	Spring, Rear Door, LH	41	532 18 21-66	Danger Decal
14	532 75 06-34	Screw, Tapping, Hex Washer Head #10-24	42	817 06 04-10	Screw
15	532 12 51-62	Bracket, Upstop	45	532 19 13-41	Mulcher Door
16	532 40 88-88	Rear Door Assembly	46	532 19 12-10	Discharge Deflector
17	532 18 41-93	Bolt, Rear Door	47	532 08 83-49	Locknut, Hex 1/4-20
18	532 19 81-70	Plug, Mulcher	48	532 42 90-01	Belt Keeper
19	532 40 97-33	Kit, Housing	--	532 18 21-34	Warning Decal (not shown)
20	532 19 40-29	Handle Bracket Assembly, LH	--	532 41 63-30	Operator's Manual, European
21	532 19 40-31	Handle Bracket Assembly, RH	--	532 41 63-31	Operator's Manual, Scandinavian
22	532 42 88-67	Screw, Hex Washer Head	--	532 41 63-32	Operator's Manual, East Bloc
23	532 16 31-83	Bolt, Hex Head 5/16-18 x 5/8	--	532 41 63-33	Operator's Manual, Baltic
24	873 80 05-00	Nut, Hex, with Lockwasher Insert 5/16-18			

3

NOTE: All component dimensions given in U.S. inches. 1 inch = 25.4 mm. **IMPORTANT:** Use only Original Equipment Manufacturer (O.E.M.) replacement parts. Failure to do so could be hazardous, damage your lawn mower and void your warranty.

PARTNER ROTARY LAWN MOWER - MODEL NUMBER P53-625D (96141011310) PRODUCT NO. 961 41 01-13



PARTNER ROTARY LAWN MOWER - MODEL NUMBER P53-625D (96141011310) PRODUCT NO. 961 41 01-13

KEY NO.	PART NO.	DESCRIPTION
1	532 40 65-31	Cable, Drive Control
2	532 41 78-19	Bar, Control, Drive
3	532 16 45-57	Bracket, Downstop
4	532 19 96-87	Screw 1/4-20 x 1.5
6	532 75 06-34	Screw, Threaded, Rolled #10-25 x .50
8	532 19 17-30	Nut 1/4-20
11	532 40 65-58	Spring
13	532 41 92-13	Gearcase Assembly, Complete
14	532 40 57-03	Pulley, Driven
15	532 08 83-48	Washer, Flat
16	532 40 71-47	Rod, Connecting
17	532 40 96-16	Spring, Extension
18	532 41 88-66	Spring, Selector
19	532 19 00-69	Knob, Selector Spring
20	812 00 00-22	E-Ring 7/8
21	532 41 24-50	Support, Bearing
22	532 19 10-39	Bearing, Ball
23	532 16 45-55	Retainer, Drive Assembly, Stamped
24	817 06 04-10	Screw, Tapping, Hex Head 1/4-20 x 5/8

KEY NO.	PART NO.	DESCRIPTION
25	532 43 26-71	Drive Cover Assembly (Includes Mounting Screw and Palnut)
28	812 00 00-58	E-Ring 7/16
29	581 84 04-01	Cover, Dust, Wheel
31	532 40 48-45	Pawl, Drive
32	581 68 53-02	Wheel & Tire Assembly, Rear, Driven 8 x 1.75
33	532 40 91-48	Nut, Hex, Flangelock
34	532 85 12-26	Flat Washer
35	532 41 09-22	Shaft Assembly, Rear
36	532 41 09-33	Shaft Assembly, Front
37	532 16 14-63	Retainer, Front Shaft
38	532 16 34-09	Screw, Hi-Lo Thread #12 x 5/8
39	532 40 70-59	Bolt, Shoulder
40	532 41 09-21	Wheel & Tire Assembly, Front 8 x 1.75
41	532 40 48-35	Pinion
42	532 19 74-80	O-Ring
44	532 40 65-57	V-Belt
47	532 06 77-25	Washer, Felt
50	532 41 37-22	Belt Keeper

5

NOTE: All component dimensions given in U.S. inches. 1 inch = 25.4 mm. **IMPORTANT:** Use only Original Equipment Manufacturer (O.E.M.) replacement parts. Failure to do so could be hazardous, damage your lawn mower and void your warranty.